

## SMA Connector Series

### KLS1-SMA003 SMA Connector Series

#### Electrical Specifications

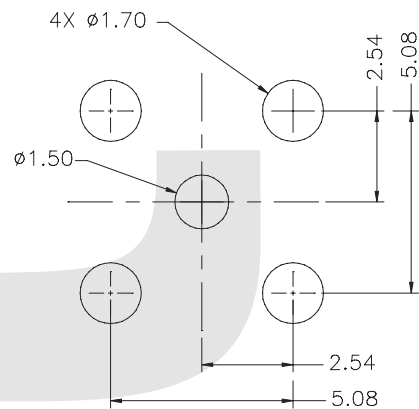
Impedance: 50 Ω  
 Frequency Range  
     Semi-rigid cable: 0-18 GHz  
     Flexible cables: 0-12.4 GHz  
 Voltage Rating : 335 volts rms.  
 Dielectric Withstanding Voltage : 500 volts rms.  
 VSWR :  
     1.15 +0 .02 f (GHz) for Straight connector typical  
     1.25 +0 .025 f (GHz) for Right angle connector typical  
 Contact Resistance  
     Center contact: 2.0 mΩ  
     Body: 2.0 mΩ  
 Insulation Resistance: 5,000 MΩ

#### Mechanical Specifications

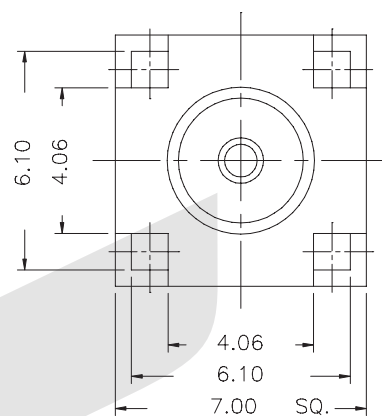
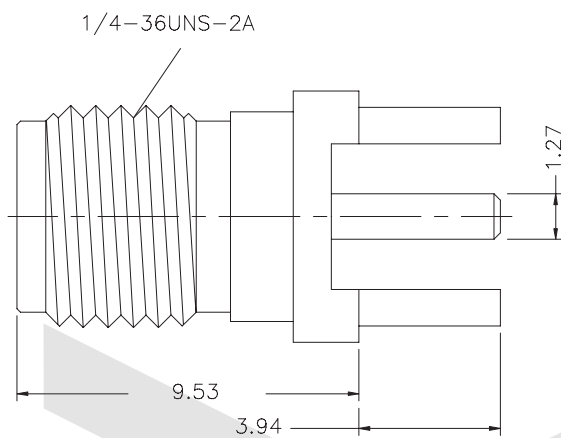
Mating: 1/4"-36 UNS thread coupling  
 Cable retention: 6kgf typical  
 Durability: 500 Cycles Min.  
 Coupling nut retention: 18kgf Min.  
 Temperature Range: - 55°C to +155°C

#### Material

Connector body: Brass per QQ-B-626 ,gold Plating or nickel  
 Center contact Male: Brass,gold Plating  
 Center contact Female: Beryllium copper,gold Plating  
 Insulator: PTFE  
 Gasket: Silicone rubber  
 Crimp Ferrule: Annealed copper



PCB MOUNTING HOLES



## ORDER INFORMATION

Product NO.: **KLS1-SMA003**

Pos. NO. \_\_\_\_\_  
 SMA Connector Type \_\_\_\_\_